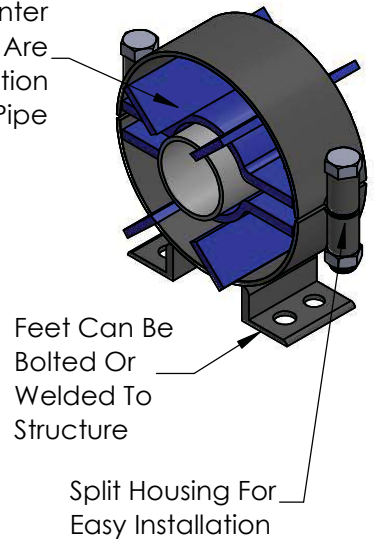
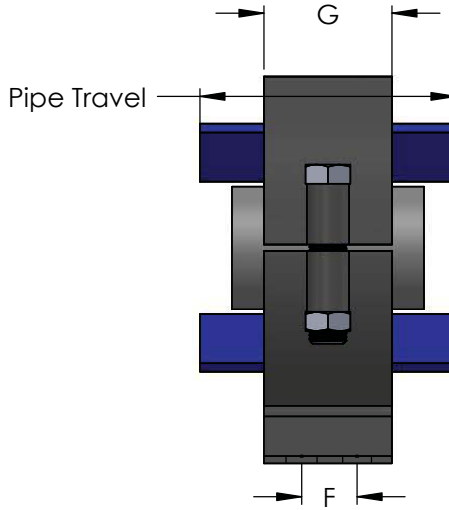
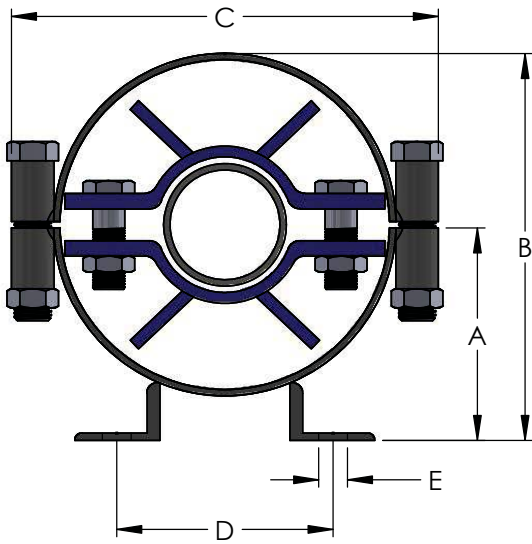


Pipe Alignment Guide Hardware:

Material: Carbon Steel

Finish: One Coat of Enamel

For Copper Tube Clamps Use **Dielectric Spacers**



Pipe Guides provide Lateral Stability To The Pipe To Prevent "Bowling".
Triad Pipe Guides Are Not Designed To Support The Weight Of The Pipe.

Size	Ins	Part Number	A	B	C	D	E	F	G	Movement	Weight
1/2"	1"	122-050-10	3-1/2"	5-7/8"	6-1/8"	4-1/8"	5/8"	1-3/4"	3"	4"	7 lbs
3/4"	1"	122-075-10	3-1/2"	5-7/8"	6-1/8"	4-3/8"	5/8"	1-3/4"	3"	4"	7 lbs
1"	1"	122-10-10	3-1/2"	5-7/8"	6-1/8"	4-3/8"	5/8"	1-3/4"	3"	4"	7 lbs
1-1/4"	1"	122-12-10	3-1/2"	5-7/8"	6-1/8"	4-3/8"	5/8"	1-3/4"	3"	4"	7 lbs
1-1/2"	1"	122-15-10	4"	6-3/4"	7-1/8"	4-3/4"	5/8"	1-3/4"	3"	4"	8 lbs
2"	1"	122-20-10	4"	6-3/4"	7-1/8"	4-3/4"	5/8"	1-3/4"	3"	4"	8 lbs
2-1/2"	1"	122-25-10	4-3/8"	7-5/8"	8-1/8"	5-3/8"	5/8"	1-3/4"	3"	4"	9 lbs
3"	1"	122-30-10	4-3/8"	7-5/8"	8-1/8"	5-3/8"	5/8"	1-3/4"	3"	4"	9 lbs
4"	1"	122-40-10	5-1/4"	9-1/4"	10-1/8"	6-3/8"	5/8"	1-3/4"	3"	4"	11 lbs
5"	1"	122-50-10	6-1/4"	11-5/8"	12-1/8"	7-1/8"	5/8"	2-3/4"	4"	4"	17 lbs
6"	1"	122-60-10	6-1/4"	11-5/8"	12-1/8"	7-1/8"	5/8"	2-3/4"	4"	4"	17 lbs
8"	1"	122-80-10	7"	13-3/8"	14-1/8"	8-3/8"	5/8"	2-3/4"	4"	4"	20 lbs
10"	1"	122-100-10	8-7/8"	17"	18-1/8"	10-7/8"	3/4"	4"	6"	6"	48 lbs
12"	1"	122-120-10	9-3/4"	18-3/4"	20-1/8"	11-7/8"	3/4"	4"	6"	6"	54 lbs
14"	1"	122-140-10	10-7/8"	21"	22-1/8"	11-3/4"	3/4"	4"	6"	6"	61 lbs
16"	1"	122-160-10	12-1/8"	23-1/8"	24-1/8"	14-1/2"	7/8"	6"	8"	8"	89 lbs
18"	1"	122-180-10	13"	25"	26-1/8"	15-1/2"	7/8"	6"	8"	8"	102 lbs
20"	1"	122-200-10	14-3/4"	27-3/4"	28-1/8"	17-1/8"	1-1/8"	6"	8"	8"	110 lbs

***Extended Spider Guides Are Available,
Contact Triad Bellows For Options.**

REV. DRAWN BY: MGM



Style: **SPIDER PIPE ALIGNMENT GUIDES FOR
1" INSULATION AND NO INSULATION**

SCALE: NONE DRAWING NUMBER: **SERIES 122-10**

CUSTOMER: _____

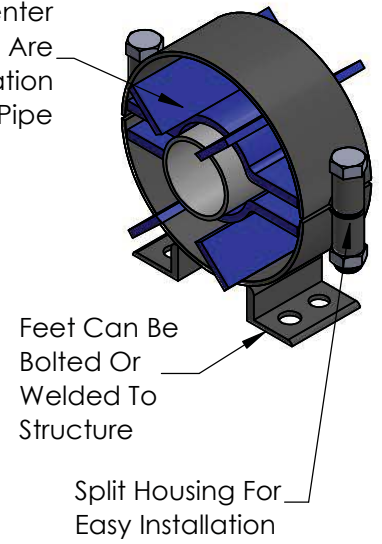
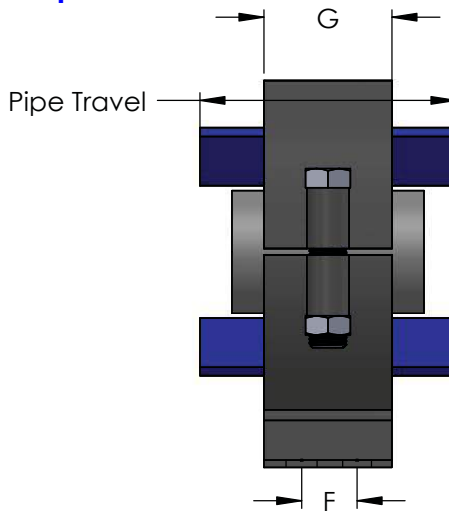
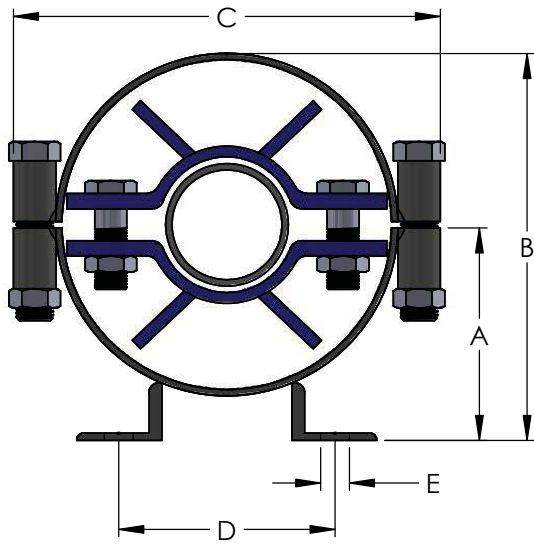
PROJECT: _____

Pipe Alignment Guide Hardware:

Material: Carbon Steel

Finish: One Coat of Enamel

For Copper Tube Clamps Use **Dielectric Spacer**



Pipe Guides provide Lateral Stability To The Pipe To Prevent "Bowing"
Triad Pipe Guides Are Not Designed To Support The Weight Of The Pipe.

Size	Ins	Part Number	A	B	C	D	E	F	G	Movement	Weight
1/2"	1-1/2"	122-050-15	3-1/2"	5-7/8"	6-1/8"	4-1/8"	5/8"	1-3/4"	3"	4"	7 lbs
3/4"	1-1/2"	122-075-15	4"	6-3/4"	7-1/8"	4-3/4"	5/8"	1-3/4"	3"	4"	8 lbs
1"	1-1/2"	122-10-15	4"	6-3/4"	7-1/8"	4-3/4"	5/8"	1-3/4"	3"	4"	8 lbs
1-1/4"	1-1/2"	122-12-15	4"	6-3/4"	7-1/8"	4-3/4"	5/8"	1-3/4"	3"	4"	8 lbs
1-1/2"	1-1/2"	122-15-15	4"	6-3/4"	7-1/8"	4-3/4"	5/8"	1-3/4"	3"	4"	8 lbs
2"	1-1/2"	122-20-15	4-3/8"	7-5/8"	8-1/8"	5-3/8"	5/8"	1-3/4"	3"	4"	9 lbs
2-1/2"	1-1/2"	122-25-15	4-3/8"	7-5/8"	8-1/8"	5-3/8"	5/8"	1-3/4"	3"	4"	9 lbs
3"	1-1/2"	122-30-15	5-1/4"	9-1/4"	10-1/8"	6-3/8"	5/8"	1-3/4"	3"	4"	11 lbs
4"	1-1/2"	122-40-15	5-1/4"	9-1/4"	10-1/8"	6-3/8"	5/8"	1-3/4"	3"	4"	11 lbs
5"	1-1/2"	122-50-15	6-1/4"	11-5/8"	12-1/8"	7-1/8"	5/8"	2-3/4"	4"	4"	17 lbs
6"	1-1/2"	122-60-15	6-1/4"	11-5/8"	12-1/8"	7-1/8"	5/8"	2-3/4"	4"	4"	17 lbs
8"	1-1/2"	122-80-15	7"	13-3/8"	14-1/8"	8-3/8"	5/8"	2-3/4"	4"	4"	20 lbs
10"	1-1/2"	122-100-15	8-7/8"	17"	18-1/8"	10-7/8"	3/4"	4"	6"	6"	48 lbs
12"	1-1/2"	122-120-15	9-3/4"	18-3/4"	20-1/8"	11-7/8"	3/4"	4"	6"	6"	54 lbs
14"	1-1/2"	122-140-15	10-7/8"	21"	22-1/8"	11-3/4"	3/4"	4"	6"	6"	61 lbs
16"	1-1/2"	122-160-15	12-1/8"	23-1/8"	24-1/8"	14-1/2"	7/8"	6"	8"	8"	89 lbs
18"	1-1/2"	122-180-15	13"	25"	26-1/8"	15-1/2"	7/8"	6"	8"	8"	102 lbs
20"	1-1/2"	122-200-15	14-3/4"	27-3/4"	28-1/8"	17-1/8"	1-1/8"	6"	8"	8"	110 lbs

***Extended Spider Guides Are Available,
Contact Triad Bellows For Options.**

REV. _____ DRAWN BY: MGM



Style: **SPIDER PIPE ALIGNMENT GUIDES
FOR 1-1/2" INSULATION**

SCALE: NONE DRAWING NUMBER: **SERIES 122-15**

CUSTOMER: _____

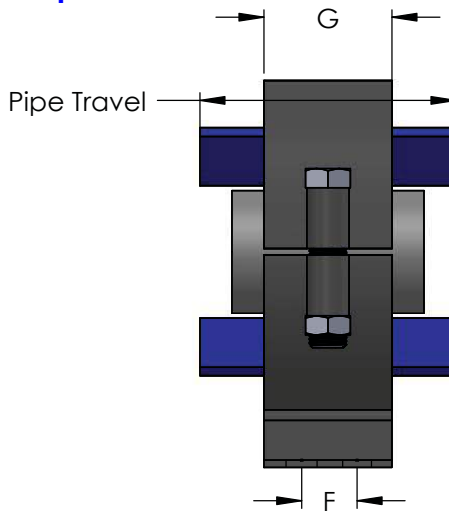
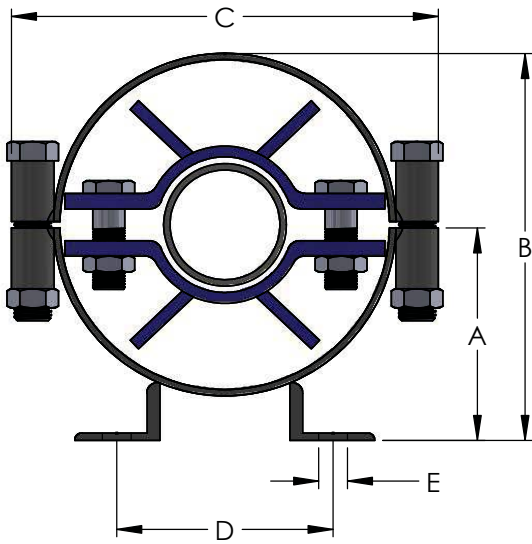
PROJECT: _____

Pipe Alignment Guide Hardware:

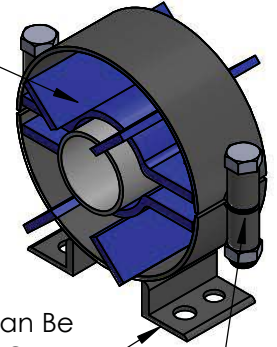
Material: Carbon Steel

Finish: One Coat of Enamel

For Copper Tube Clamps Use **Dielectric Spacers**



Spider Spacers Center Pipe In Housing And Are Sized To Allow Insulation To Be Packed Around Pipe



Feet Can Be Bolted Or Welded To Structure

Split Housing For Easy Installation

Pipe Guides provide Lateral Stability To The Pipe To Prevent "Bowing"
Triad Pipe Guides Are Not Designed To Support The Weight Of The Pipe.

Size	Ins	Part Number	A	B	C	D	E	F	G	Movement	Weight
1/2"	2"	122-050-20	4"	6-3/4"	7-1/8"	4-3/8"	5/8"	1-3/4"	3"	4"	8 lbs
3/4"	2"	122-075-20	4-3/8"	7-5/8"	8-1/8"	4-3/4"	5/8"	1-3/4"	3"	4"	9 lbs
1"	2"	122-10-20	4-3/8"	7-5/8"	8-1/8"	4-3/4"	5/8"	1-3/4"	3"	4"	9 lbs
1-1/4"	2"	122-12-20	4-3/8"	7-5/8"	8-1/8"	4-3/4"	5/8"	1-3/4"	3"	4"	9 lbs
1-1/2"	2"	122-15-20	4-3/8"	7-5/8"	8-1/8"	4-3/4"	5/8"	1-3/4"	3"	4"	9 lbs
2"	2"	122-20-20	5-1/4"	9-1/4"	10-1/8"	6-3/8"	5/8"	1-3/4"	3"	4"	11 lbs
2-1/2"	2"	122-25-20	5-1/4"	9-1/4"	10-1/8"	6-3/8"	5/8"	1-3/4"	3"	4"	11 lbs
3"	2"	122-30-20	5-1/4"	9-1/4"	10-1/8"	6-3/8"	5/8"	1-3/4"	3"	4"	11 lbs
4"	2"	122-40-20	6-1/4"	11-5/8"	12-1/8"	7-1/8"	5/8"	2-3/4"	4"	4"	17 lbs
5"	2"	122-50-20	6-1/4"	11-5/8"	12-1/8"	7-1/8"	5/8"	2-3/4"	4"	4"	17 lbs
6"	2"	122-60-20	7"	13-3/8"	14-1/8"	8-3/8"	5/8"	2-3/4"	4"	4"	20 lbs
8"	2"	122-80-20	7-7/8"	15-1/8"	16-1/8"	9-7/8"	3/4"	4"	6"	6"	40 lbs
10"	2"	122-100-20	8-7/8"	17"	18-1/8"	10-7/8"	3/4"	4"	6"	6"	48 lbs
12"	2"	122-120-20	9-3/4"	18-3/4"	20-1/8"	11-7/8"	3/4"	4"	6"	6"	54 lbs
14"	2"	122-140-20	10-7/8"	21"	22-1/8"	11-3/4"	3/4"	4"	6"	6"	61 lbs
16"	2"	122-160-20	12-1/8"	23-1/8"	24-1/8"	14-1/2"	7/8"	6"	8"	8"	89 lbs
18"	2"	122-180-20	13"	25"	26-1/8"	15-1/2"	7/8"	6"	8"	8"	102 lbs
20"	2"	122-200-20	14-3/4"	27-3/4"	28-1/8"	17-1/8"	1-1/8"	6"	8"	8"	110 lbs

***Extended Spider Guides Are Available,
Contact Triad Bellows For Options.**

REV. DRAWN BY: MGM



Style: **SPIDER PIPE ALIGNMENT GUIDES FOR 2" INSULATION**

SCALE: NONE DRAWING NUMBER: **SERIES 122-20**

CUSTOMER: _____

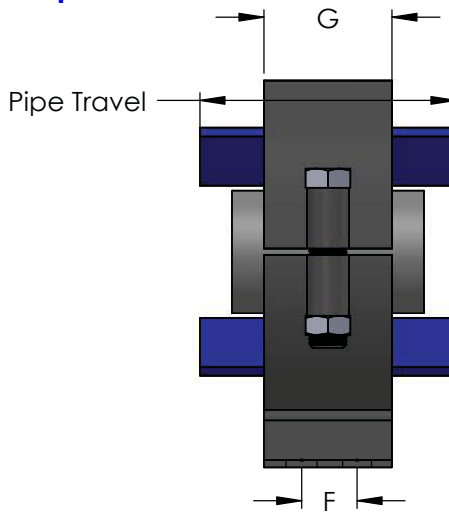
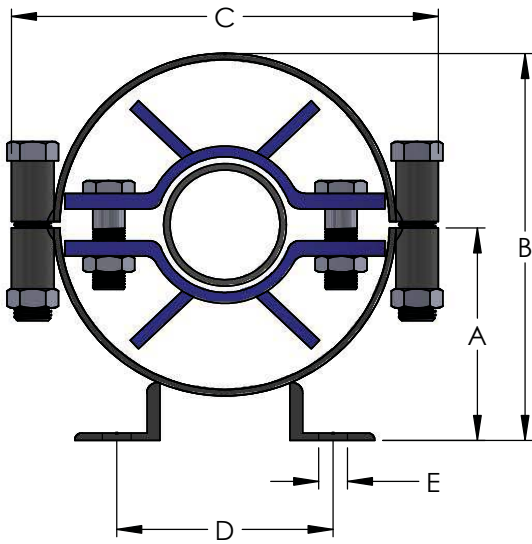
PROJECT: _____

Pipe Alignment Guide Hardware:

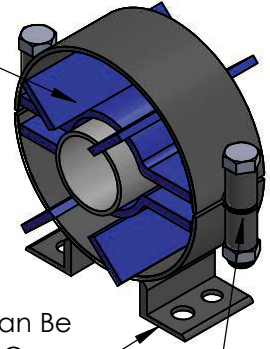
Material: Carbon Steel

Finish: One Coat of Enamel

For Copper Tube Clamps Use **Dielectric Spacers**



Spider Spacers Center Pipe In Housing And Are Sized To Allow Insulation To Be Packed Around Pipe



Feet Can Be Bolted Or Welded To Structure

Split Housing For Easy Installation

Pipe Guides provide Lateral Stability To The Pipe To Prevent "Bowing"
Triad Pipe Guides Are Not Designed To Support The Weight Of The Pipe.

Size	Ins	Part Number	A	B	C	D	E	F	G	Movement	Weight
1/2"	2-1/2"	122-050-25	5-1/4"	9-1/4"	10-1/8"	6-1/8"	5/8"	1-3/4"	3"	4"	11 lbs
3/4"	2-1/2"	122-075-25	5-1/4"	9-1/4"	10-1/8"	6-3/8"	5/8"	1-3/4"	3"	4"	11 lbs
1"	2-1/2"	122-10-25	5-1/4"	9-1/4"	10-1/8"	6-3/8"	5/8"	1-3/4"	3"	4"	11 lbs
1-1/4"	2-1/2"	122-12-25	5-1/4"	9-1/4"	10-1/8"	6-3/8"	5/8"	1-3/4"	3"	4"	11 lbs
1-1/2"	2-1/2"	122-15-25	5-1/4"	9-1/4"	10-1/8"	6-3/8"	5/8"	1-3/4"	3"	4"	11 lbs
2"	2-1/2"	122-20-25	5-1/4"	9-1/4"	10-1/8"	6-3/8"	5/8"	1-3/4"	3"	4"	11 lbs
2-1/2"	2-1/2"	122-25-25	5-1/4"	9-1/4"	10-1/8"	6-3/8"	5/8"	1-3/4"	3"	4"	11 lbs
3"	2-1/2"	122-30-25	6-1/4"	11-5/8"	12-1/8"	7-1/8"	5/8"	2-3/4"	4"	4"	17 lbs
4"	2-1/2"	122-40-25	6-1/4"	11-5/8"	12-1/8"	7-1/8"	5/8"	2-3/4"	4"	4"	17 lbs
5"	2-1/2"	122-50-25	7"	13-3/8"	14-1/8"	8-3/8"	5/8"	2-3/4"	4"	4"	20 lbs
6"	2-1/2"	122-60-25	7"	13-3/8"	14-1/8"	8-3/8"	5/8"	2-3/4"	4"	4"	20 lbs
8"	2-1/2"	122-80-25	8-7/8"	17"	18-1/8"	10-7/8"	3/4"	4"	6"	6"	48 lbs
10"	2-1/2"	122-100-25	9-3/4"	18-3/4"	20-1/8"	11-7/8"	3/4"	4"	6"	6"	54 lbs
12"	2-1/2"	122-120-25	10-7/8"	21"	22-1/8"	11-3/4"	3/4"	4"	6"	6"	61 lbs
14"	2-1/2"	122-140-25	10-7/8"	21"	22-1/8"	11-3/4"	3/4"	4"	6"	6"	61 lbs
16"	2-1/2"	122-160-25	12-1/8"	23-1/8"	24-1/8"	14-1/2"	7/8"	6"	8"	8"	89 lbs
18"	2-1/2"	122-180-25	13"	25"	26-1/8"	15-1/2"	7/8"	6"	8"	8"	102 lbs
20"	2-1/2"	122-200-25	14-3/4"	27-3/4"	28-1/8"	17-1/8"	1-1/8"	6"	8"	8"	110 lbs

***Extended Spider Guides Are Available,
Contact Triad Bellows For Options.**

REV. DRAWN BY: MGM



Style: **SPIDER PIPE ALIGNMENT GUIDES
FOR 2-1/2" INSULATION**

SCALE: NONE DRAWING NUMBER: **SERIES 122-25**

CUSTOMER: _____

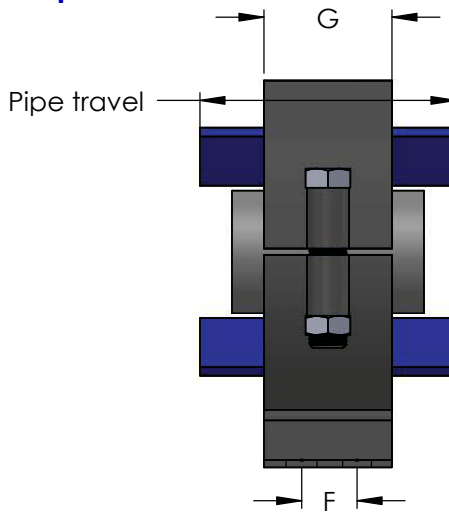
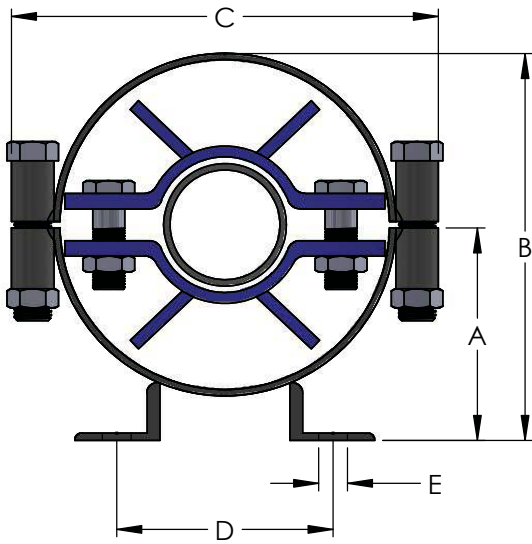
PROJECT: _____

Pipe Alignment Guide Hardware:

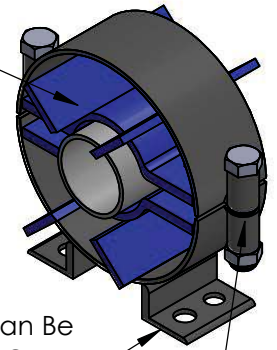
Material: Carbon Steel

Finish: One Coat of Enamel

For Copper Tube Clamps Use **Dielectric Spacers**



Spider Spacers Center Pipe In Housing And Are Sized To Allow Insulation To Be Packed Around Pipe



Feet Can Be Bolted Or Welded To Structure

Split Housing For Easy Installation

Pipe Guides provide Lateral Stability To The Pipe To Prevent "Bowling"
Triad Pipe Guides Are Not Designed To Support The Weight Of The Pipe.

Size	Ins	Part Number	A	B	C	D	E	F	G	Movement	Weight
1/2"	3"	122-050-30	5-1/4"	9-1/4"	10-1/8"	6-1/8"	5/8"	1-3/4"	3"	4"	11 lbs
3/4"	3"	122-075-30	5-1/4"	9-1/4"	10-1/8"	6-3/8"	5/8"	1-3/4"	3"	4"	11 lbs
1"	3"	122-10-30	5-1/4"	9-1/4"	10-1/8"	6-3/8"	5/8"	1-3/4"	3"	4"	11 lbs
1-1/4"	3"	122-12-30	5-1/4"	9-1/4"	10-1/8"	6-3/8"	5/8"	1-3/4"	3"	4"	11 lbs
1-1/2"	3"	122-15-30	5-1/4"	9-1/4"	10-1/8"	6-3/8"	5/8"	1-3/4"	3"	4"	11 lbs
2"	3"	122-20-30	6-1/4"	11-5/8"	12-1/8"	7-1/8"	5/8"	2-3/4"	4"	4"	17 lbs
2-1/2"	3"	122-25-30	6-1/4"	11-5/8"	12-1/8"	7-1/8"	5/8"	2-3/4"	4"	4"	17 lbs
3"	3"	122-30-30	6-1/4"	11-5/8"	12-1/8"	7-1/8"	5/8"	2-3/4"	4"	4"	17 lbs
4"	3"	122-40-30	7"	13-3/8"	14-1/8"	8-3/8"	5/8"	2-3/4"	4"	4"	20 lbs
5"	3"	122-50-30	7"	13-3/8"	14-1/8"	8-3/8"	5/8"	2-3/4"	4"	4"	20 lbs
6"	3"	122-60-30	7-7/8"	15-1/8"	16-1/8"	9-7/8"	3/4"	4"	6"	6"	40 lbs
8"	3"	122-80-30	8-7/8"	17"	18-1/8"	10-7/8"	3/4"	4"	6"	6"	48 lbs
10"	3"	122-100-30	9-3/4"	18-3/4"	20-1/8"	11-7/8"	3/4"	4"	6"	6"	54 lbs
12"	3"	122-120-30	10-7/8"	21"	22-1/8"	11-3/4"	3/4"	4"	6"	6"	61 lbs
14"	3"	122-140-30	12-1/8"	23-1/8"	24-1/8"	14-1/2"	7/8"	6"	8"	8"	89 lbs
16"	3"	122-160-30	13"	25"	26-1/8"	15-1/2"	7/8"	6"	8"	8"	102 lbs
18"	3"	122-180-30	14-3/4"	27-3/4"	28-1/8"	17-1/8"	1-1/8"	6"	8"	8"	110 lbs
20"	3"	122-200-30	16-1/2"	31-1/2"	32-1/8"	19-1/4"	1-1/8"	6"	8"	8"	150 lbs

***Extended Spider Guides Are Available,
Contact Triad Bellows For Options.**

REV. DRAWN BY: MGM



Style: **SPIDER PIPE ALIGNMENT GUIDES FOR 3" INSULATION**

SCALE: NONE DRAWING NUMBER: **SERIES 122-30**

CUSTOMER: _____

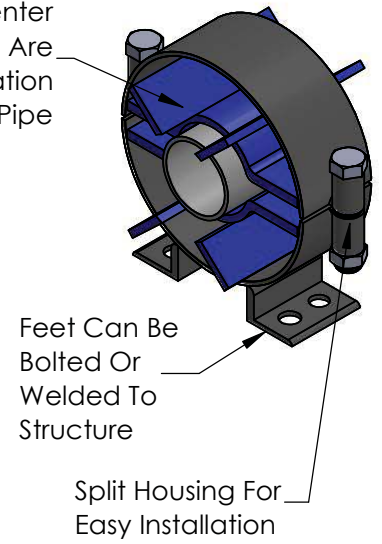
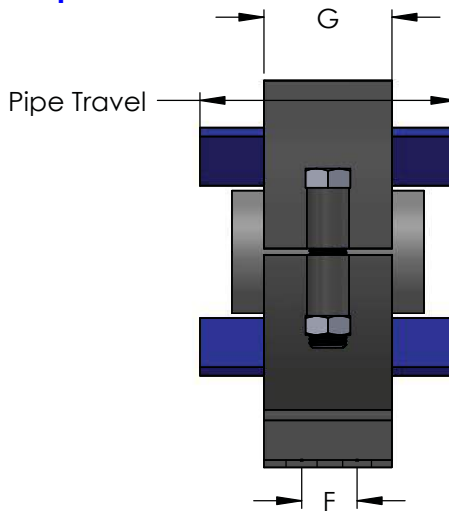
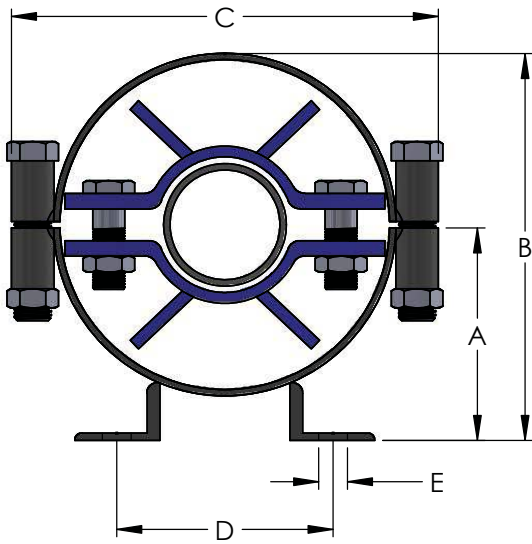
PROJECT: _____

Pipe Alignment Guide Hardware:

Material: Carbon Steel

Finish: One Coat of Enamel

For Copper Tube Clamps Use **Dielectric Spacers**



Pipe Guides provide Lateral Stability To The Pipe To Prevent "Bowing"
Triad Pipe Guides Are Not Designed To Support The Weight Of The Pipe.

Size	Ins	Part Number	A	B	C	D	E	F	G	Movement	Weight
1/2"	3-1/2"	122-050-35	5-1/4"	9-1/4"	10-1/8"	6-1/8"	5/8"	1-3/4"	3"	4"	11 lbs
3/4"	3-1/2"	122-075-35	6-1/4"	11-5/8"	12-1/8"	7-1/8"	5/8"	2-3/4"	4"	4"	17 lbs
1"	3-1/2"	122-10-35	6-1/4"	11-5/8"	12-1/8"	7-1/8"	5/8"	2-3/4"	4"	4"	17 lbs
1-1/4"	3-1/2"	122-12-35	6-1/4"	11-5/8"	12-1/8"	7-1/8"	5/8"	2-3/4"	4"	4"	17 lbs
1-1/2"	3-1/2"	122-15-35	6-1/4"	11-5/8"	12-1/8"	7-1/8"	5/8"	2-3/4"	4"	4"	17 lbs
2"	3-1/2"	122-20-35	6-1/4"	11-5/8"	12-1/8"	7-1/8"	5/8"	2-3/4"	4"	4"	17 lbs
2-1/2"	3-1/2"	122-25-35	6-1/4"	11-5/8"	12-1/8"	7-1/8"	5/8"	2-3/4"	4"	4"	17 lbs
3"	3-1/2"	122-30-35	7"	13-3/8"	14-1/8"	8-3/8"	5/8"	2-3/4"	4"	4"	20 lbs
4"	3-1/2"	122-40-35	7"	13-3/8"	14-1/8"	8-3/8"	5/8"	2-3/4"	4"	4"	20 lbs
5"	3-1/2"	122-50-35	7-7/8"	15-1/8"	16-1/8"	9-7/8"	3/4"	4"	6"	6"	40 lbs
6"	3-1/2"	122-60-35	8-7/8"	17"	18-1/8"	10-7/8"	3/4"	4"	6"	6"	48 lbs
8"	3-1/2"	122-80-35	9-3/4"	18-3/4"	20-1/8"	11-7/8"	3/4"	4"	6"	6"	54 lbs
10"	3-1/2"	122-100-35	10-7/8"	21"	22-1/8"	11-3/4"	3/4"	4"	6"	6"	61 lbs
12"	3-1/2"	122-120-35	12-1/8"	23-1/8"	24-1/8"	14-1/2"	7/8"	6"	8"	8"	89 lbs
14"	3-1/2"	122-140-35	12-1/8"	23-1/8"	24-1/8"	14-1/2"	7/8"	6"	8"	8"	89 lbs
16"	3-1/2"	122-160-35	13"	25"	26-1/8"	15-1/2"	7/8"	6"	8"	8"	102 lbs
18"	3-1/2"	122-180-35	14-3/4"	27-3/4"	28-1/8"	17-1/8"	1-1/8"	6"	8"	8"	110 lbs
20"	3-1/2"	122-200-35	16-1/2"	31-1/2"	32-1/8"	19-1/4"	1-1/8"	6"	8"	8"	150 lbs

***Extended Spider Guides Are Available,
Contact Triad Bellows For Options.**

REV. DRAWN BY: MGM



Style: **SPIDER PIPE ALIGNMENT GUIDES
FOR 3-1/2" INSULATION**

SCALE: NONE DRAWING NUMBER: **SERIES 122-35**

CUSTOMER: _____

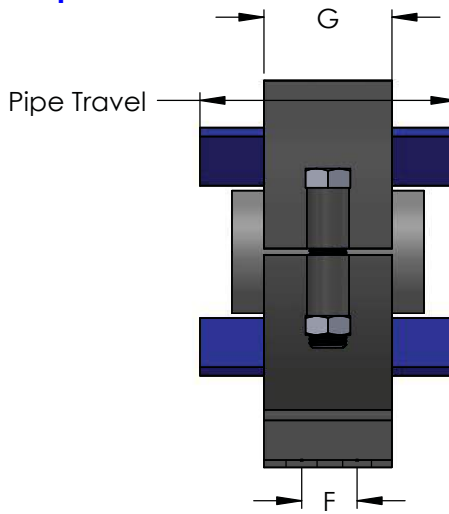
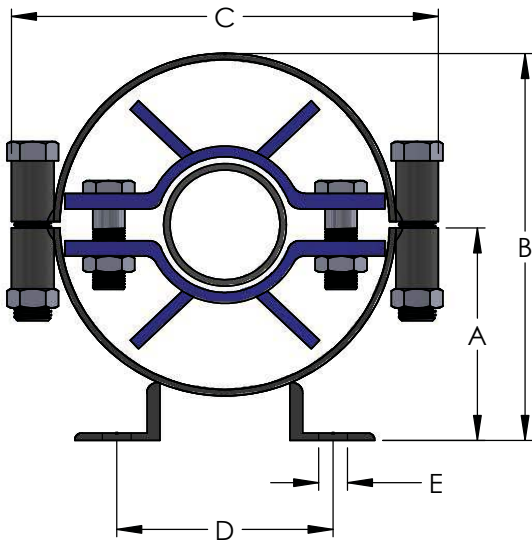
PROJECT: _____

Pipe Alignment Guide Hardware:

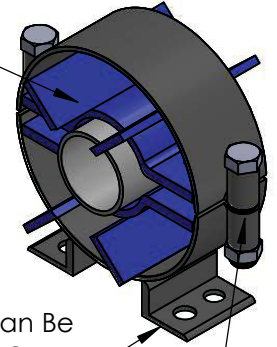
Material: Carbon Steel

Finish: One Coat of Enamel

For Copper Tube Clamps Use **Dielectric Spacers**



Spider Spacers Center Pipe In Housing And Are Sized To Allow Insulation To Be Packed Around Pipe



Feet Can Be Bolted Or Welded To Structure

Split Housing For Easy Installation

Pipe Guides provide Lateral Stability To The Pipe To Prevent "Bowing"
Triad Pipe Guides Are Not Designed To Support The Weight Of The Pipe.

Size	Ins	Part Number	A	B	C	D	E	F	G	Movement	Weight
1/2"	4"	122-050-40	6-1/4"	11-5/8"	12-1/8"	7"	5/8"	2-3/4"	4"	4"	17 lbs
3/4"	4"	122-075-40	6-1/4"	11-5/8"	12-1/8"	7-1/8"	5/8"	2-3/4"	4"	4"	17 lbs
1"	4"	122-100-40	6-1/4"	11-5/8"	12-1/8"	7-1/8"	5/8"	2-3/4"	4"	4"	17 lbs
1-1/4"	4"	122-120-40	6-1/4"	11-5/8"	12-1/8"	7-1/8"	5/8"	2-3/4"	4"	4"	17 lbs
1-1/2"	4"	122-150-40	6-1/4"	11-5/8"	12-1/8"	7-1/8"	5/8"	2-3/4"	4"	4"	17 lbs
2"	4"	122-200-40	7"	13-3/8"	14-1/8"	8-3/8"	5/8"	2-3/4"	4"	4"	20 lbs
2-1/2"	4"	122-250-40	7"	13-3/8"	14-1/8"	8-3/8"	5/8"	2-3/4"	4"	4"	20 lbs
3"	4"	122-300-40	7"	13-3/8"	14-1/8"	8-3/8"	5/8"	2-3/4"	4"	4"	20 lbs
4"	4"	122-400-40	7-7/8"	15-1/8"	16-1/8"	9-7/8"	3/4"	4"	6"	6"	40 lbs
5"	4"	122-500-40	8-7/8"	17"	18-1/8"	10-7/8"	3/4"	4"	6"	6"	48 lbs
6"	4"	122-600-40	8-7/8"	17"	18-1/8"	10-7/8"	3/4"	4"	6"	6"	48 lbs
8"	4"	122-800-40	9-3/4"	18-3/4"	20-1/8"	11-7/8"	3/4"	4"	6"	6"	54 lbs
10"	4"	122-1000-40	10-7/8"	21"	22-1/8"	11-3/4"	3/4"	4"	6"	6"	61 lbs
12"	4"	122-1200-40	12-1/8"	23-1/8"	24-1/8"	14-1/2"	7/8"	6"	8"	8"	89 lbs
14"	4"	122-1400-40	13"	25"	26-1/8"	15-1/2"	7/8"	6"	8"	8"	102 lbs
16"	4"	122-1600-40	14-3/4"	27-3/4"	28-1/8"	17-1/8"	1-1/8"	6"	8"	8"	110 lbs
18"	4"	122-1800-40	15-1/2"	29-1/2"	30-1/8"	18-1/2"	1-1/8"	6"	8"	8"	135 lbs
20"	4"	122-2000-40	16-1/2"	31-1/2"	32-1/8"	19-1/4"	1-1/8"	6"	8"	8"	150 lbs

***Extended Spider Guides Are Available,
Contact Triad Bellows For Options.**

REV. DRAWN BY: MGM



Style: **SPIDER PIPE ALIGNMENT GUIDES FOR 4" INSULATION**

SCALE: NONE DRAWING NUMBER: **SERIES 122-40**

CUSTOMER: _____

PROJECT: _____